

**SILVERTONE
GUITAR, AMPLIFIER, CASE COMBINATION**

OPERATING INSTRUCTIONS

AMPLIFIER . . . First remove the guitar and its cord from the case. The case should now be stood on end and opened as wide as the bracket will allow. This is the proper operating position. Never operate the amplifier closed, as the tubes become hot and must have ventilation. Connect the guitar to the amplifier by plugging in the cord.

POWER SUPPLY . . . CAUTION: This amplifier is designed for operation from 105–125 volt, 60 cycle A.C. Never connect to a power supply having a different voltage or frequency. Insert power cord plug into any convenient outlet. Push power switch to "On" position. Allow 30 seconds to warm up.

HUM . . . Local conditions affecting your power supply may cause a slight hum or noise in the amplifier. The hum may frequently be eliminated by disconnecting the power cord from the electric outlet and inserting it again with the position of the prongs reversed.

GUITAR . . . Your guitar has been properly adjusted at the factory, however, individual musicians may desire somewhat different settings. Both the pickup and the metal bridge may be raised, lowered, or tilted by using a Phillips screw driver on the appropriate screws. Avoid excessive adjustments. Raising the bridge too high will make fingering hard. Lowering the bridge too much will result in string buzz. The rosewood slider on the bridge can be moved forward or back. The correct position (as shipped) is indicated by two small dots indented on the surface of the metal bridge.

NECK ADJUSTMENT . . . The neck is secured to the body by means of 3 Phillips screws located in a triangle at the rear of the body and the base of the neck. Next to the bottom one of these 3 screws is a small hole. Inside this hole is an adjustment screw which may be turned by a hexagon key wrench, size 3/32. Before making this adjustment, loosen the one Phillips screw nearest the hole. After the adjustment with the hex key has been made, retighten the Phillips screw. Do not overtighten.

NORMAL CARE AND MAINTENANCE

TUBES . . . Check tubes once a year, or more frequently if amplifier is subject to constant or severe use. When replacing tubes take care to put them in the correct sockets and see that the base pins are fully inserted.

THIS PDF COURTESY SILVERTONEWORLD.NET

OWNER'S MANUAL

**SERVICE DATA
and
REPAIR PARTS LIST
for**

Silvertone

**GUITAR, AMPLIFIER, CASE
COMBINATION**

**MODEL NO. 1449
1457**

GUARANTEE

We guarantee the Silvertone musical instrument amplifier to be free from defects in material and workmanship for a period of one (1) year from date of sale.

Should a defect occur, return the part or amplifier to us and we will:

1. during the first ninety (90) days from date of sale at our option either repair or replace and install any defective parts or tubes free of charge.
2. after ninety (90) days and for the balance of the year at our option either repair or replace all defective parts and tubes, charging only for labor.

This guarantee does not provide free labor for service rendered in the home, nor does it include service necessitated by damage due to misuse, abuse, improper line voltage, fire or flood, lightning or other acts of God.

**SEARS, ROEBUCK and CO., U.S.A.
and SIMPSONS-SEARS LIMITED**

KEEP THIS BOOKLET. IT CONTAINS VALUABLE SERVICE INFORMATION

GUITAR, AMPLIFIER, CASE COMBINATION

HOW TO ORDER PARTS:

WHERE TO PLACE ORDER:

Replacement parts may be ordered through any Sears, Roebuck and Co. U.S.A., or in Canada, Simpsons-Sears Limited Retail or Mail Order Store. Prices available upon application.

ORDER MUST STATE:

1. The Part Number
2. The Part Description
3. The Chassis Number
4. The Model Number

USED IN MODELS

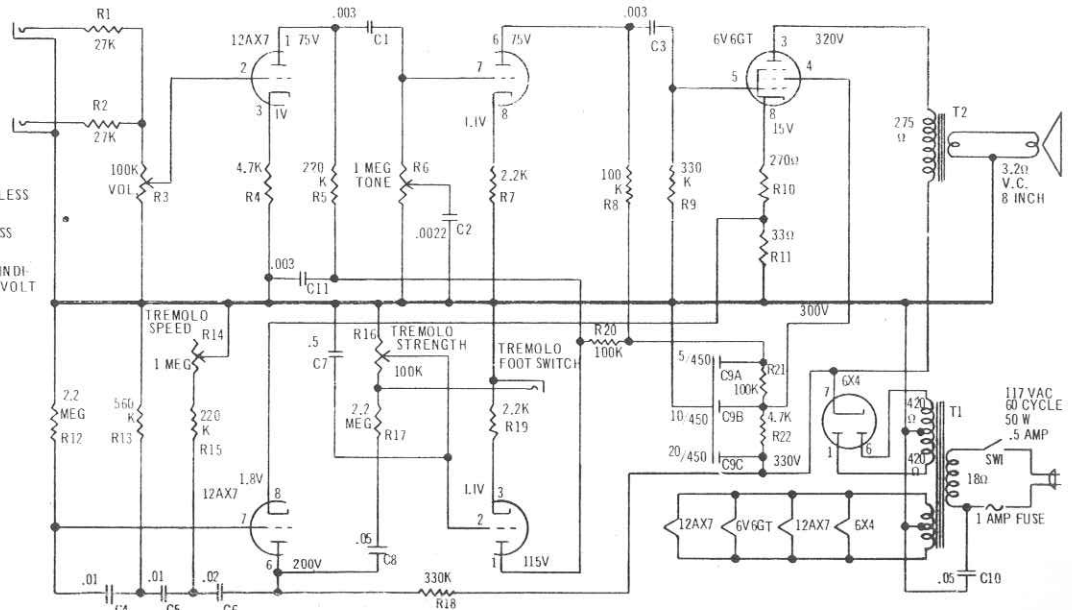
- 1449**
1457

LOCATION OF CHASSIS AND MODEL NUMBERS:

The chassis number will be found on a metal plate attached to the chassis.
The model number will be found on the control panel.

NOTES:

1. VALUES OF CAPACITORS IN MFD. UNLESS OTHERWISE NOTED.
2. ALL RESISTORS ARE 1/2 WATT UNLESS OTHERWISE NOTED.
3. VOLTAGES MEASURED FROM POINTS INDICATED TO CHASSIS WITH 20,000 OHM/VOLT METER.



SCHEMATIC DIAGRAM OF SILVERTONE CHASSIS 185.11090

CHASSIS PARTS						CABINET PARTS	
Schematic Location	Part No.	Description	Schematic Location	Part No.	Description	Part No.	Description
CAPACITORS			RESISTORS			1449C	Case for 1449
C1, C3, C11	20-0036	.003 mfd., 600 v.	(All resistors 1/2 watt unless otherwise noted)			1457C	Case for 1457
C2	20-220	.0022 mfd., 600 v.	R1, R2	18-27302	27K ohm, 20%	7835	Handle with hardware
C4, C5	20-016	.01 mfd., 600 v.	R3, R16	22-10412	100K ohm control, linear	53N	Hinge
C6	20-026	.02 mfd., 600 v.	R4, R22	18-47202	4.7K ohm, 20%	3011N	Catch
C7	20-502	.5 mfd., 200 v.	R5, R15	18-22402	220K ohm, 20%	273	Lid support
C8, C10	20-056	.05 mfd., 600 v.	R6	22-10512	1 megohm control, audio taper	8M32	Speaker, 8 inch, 3.2 ohm V.C.
C9A-C9B-C9C	25-51020	Electrolytic, 5-10-20 mfd., 450 v.	R7, R19	18-22202	2.2K ohm, 20%	1457M-V2	Owner's Manual
MISCELLANEOUS PARTS			R8, R20, R21	18-10402	100K ohm, 20%		
T1	P-7	Power Transformer	R9, R18	18-33402	330K ohm, 20%		
T2	091	Output Transformer	R10	18-27151	270 ohm, 10%, 5watt		
SW1	2019	Toggle Switch SPST	R11	18-33002	33 ohm, 20%		
	83130BL	Control Knob, Black	R12, R17	18-22502	2.2 megohm, 20%		
	FS49	Single Foot Switch	R13	18-56402	560K ohm, 20%		
			R14	22-10513	1 megohm control, linear		

SEARS' TECHNICIAN ONLY

Refer to the Div. 57 Authorized Price List 185.00 for current selling prices, availability and ordering information.

Remove and destroy the corresponding page from the Div. 57 Standard Nomenclature Radio Technical Manual and file this revised page in its place.

SF57-